

**Serie | 2, Wall-mounted cooker hood,
90 cm, clear glass black printed
DWK095G60B**



Optional accessories

DWA0LK6A : Standard odor filter



Wall mounted chimney hoods add style and sophistication to the kitchen and give you complete freedom in your kitchen planning.

- **LED Illumination:** The energy-saving lighting provides bright and clear lighting for the hob area.
- An impressive extraction rate of m³/h ensures this hood will have your kitchen odour free in no time.
- 3-speed power Level options to suit your cooking style and recipes.
- Ducted or Non-ducted Options

Technical Data

Typology : Wall-mounted
Approval certificates : CE
Length of electrical supply cord : 130 cm
Height of product, without chimney : 354 mm
Minimum distance above an electric hob : 470 mm
Minimum distance above a gas hob : 570 mm
Net weight : 17.840 kg
Type of control : Electronic
Number of speed settings : 3
Maximum output air extraction : 629 m³/h
Maximum output recirculating air : 230 m³/h
Number of lights (Stck) : 2
Noise level : 67 dB(A) re 1 pW
Diameter of air outlet : 120 / 150 mm
Grease filter material : Washable aluminium
EAN code : 4242005176106
Connection rating : 216 W
Fuse protection : 10 A
Voltage : 220-240 V
Frequency : 50 Hz
Plug type : GB plug
Installation type : Wall-mounted



**Serie | 2, Wall-mounted cooker hood, 90 cm,
clear glass black printed
DWK095G60B**

Optional accessories

- Recirculating kit DWA0LK6A
- * In accordance with the EU-Regulation No 65/2014

Wall mounted chimney hoods add style and sophistication to the kitchen and give you complete freedom in your kitchen planning.

Key performance features:

- Energy Efficiency Class: C (at a range of energy efficiency classes from A+++ to D)
- Maximum extraction rate exhaust air 629 m³/h according to EN 61591
- Noise max. Normal Level: Noise, max. speed in normal us: 67 dB dB*

Special features

- TouchControl with Electronic display
- 3 power levels
- 2 x LED lights
- Colour Temperature: 3000 K
- 2 removable metal grease filter cassettes
- Filter cover glass, Removable metal grease filters
- Rim ventilation

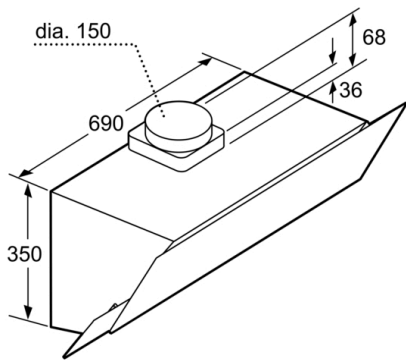
Design

- Chimney extractor hood
- Installation: wall
- TouchControl
- Electronic control

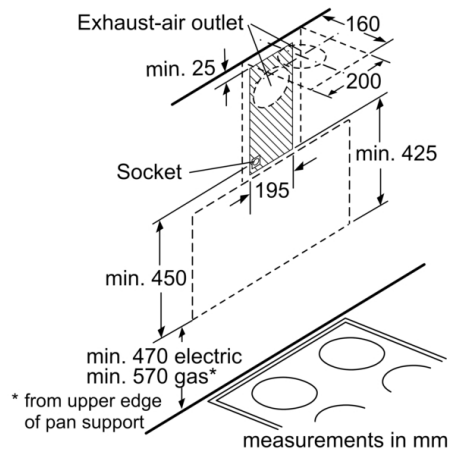
Performance/technical information

- Suitable for ducted or recirculating operation
- For recirculated extraction recirculating kit (accessory) needed
- Extraction rate according to EN 61591 max. 629 m³/h
- Noise level according to EN 60704-3 and EN 60704-2-13 at max. normal use exhaust air: 67 dB(A) re 1 pW
- Power rating: 216 W
- Light Intensity: 377 lux
- Electrical cable length 1.3 m
- Diameter pipe Ø 150 mm (Ø 120 mm enclosed)
- Dimensions exhaust air (HxWxD): 750-1080 x 896 x 386 mm
- Dimensions recirculating (HxWxD): 862-1080 x 896 x 386 mm
- Blower Efficiency Class: D*
- Lighting Efficiency Class: A*
- Grease Filtering Efficiency Class: D*
- Average Energy Consumption: 94.5 kWh/year*

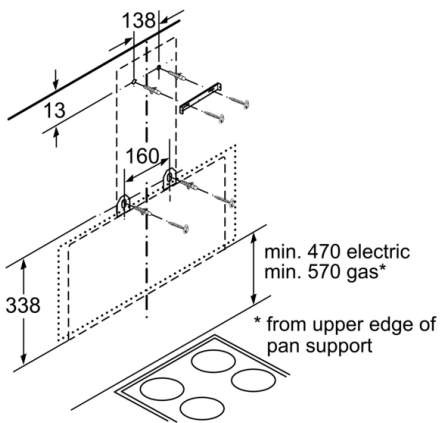
**Serie | 2, Wall-mounted cooker hood, 90 cm,
clear glass black printed
DWK095G60B**



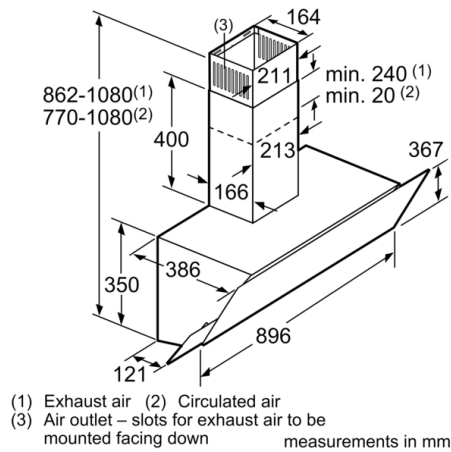
measurements in mm



measurements in mm



measurements in mm



(1) Exhaust air (2) Circulated air
(3) Air outlet – slots for exhaust air to be mounted facing down
measurements in mm