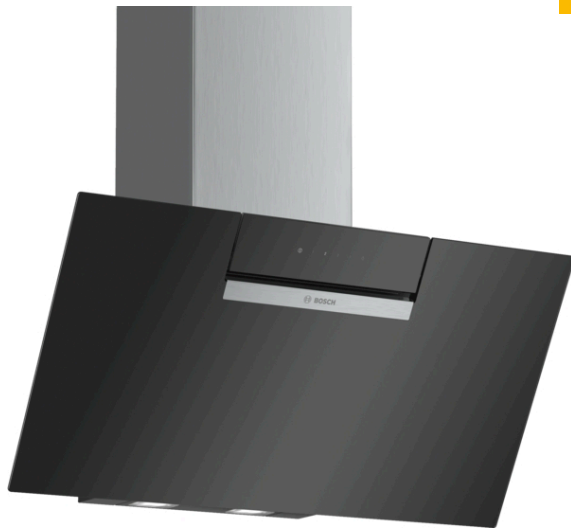


**Serie | 2, Wall-mounted cooker hood,
80 cm, Black
DWK87EM60B**



B

- **Especially silent:** maximum hood performance, minimum noise.
- **TouchSelect control:** Quickly select hood settings via touch.
- **LED Illumination:** The energy-saving lighting provides bright and clear lighting for the hob area.
- **Intensive speed setting:** removes strong kitchen odours quickly and effectively.
- An impressive extraction rate of m³/h ensures this hood will have your kitchen odour free in no time.

Technical Data

Typology : Wall-mounted
 Approval certificates : CE, E17D UKCA marking, VDE
 Length of electrical supply cord : 130 cm
 Height of the chimney : 484-770/554-830 mm
 Height of product, without chimney : 296 mm
 Minimum distance above an electric hob : 450 mm
 Minimum distance above a gas hob : 650 mm
 Net weight : 14.912 kg
 Type of control : Electronic
 Maximum output air extraction : 399 m³/h
 Boost position output recirculating : 474 m³/h
 Maximum output recirculating air : 349 m³/h
 Boost position air extraction : 669 m³/h
 Number of lights (Stck) : 2
 Noise level : 60 dB(A) re 1 pW
 Diameter of air outlet : 120 / 150 mm
 Grease filter material : Washable aluminium
 EAN code : 4242005199730
 Connection rating : 255 W
 Fuse protection : 10 A
 Voltage : 220-240 V
 Frequency : 50; 60 Hz
 Plug type : GB plug
 Installation type : Wall-mounted



Optional accessories

DHZ1225 : Chimney extension 1000 mm
 DHZ1235 : Chimney extension 1500 mm
 DHZ5276 : Standard odor filter (replacement)
 DHZ9551 : Brushed steel back panel
 DWZ0XX0J0 : Long Life recirculation kit
 DWZ1DX1I6 : Clean Air Plus recirculation kit
 DWZ1EK1U1 : Standard recirculation kit
 DWZ1FX5C6 : Clean Air Plus recirc. kit external
 DZZ1XX1B6 : Clean Air Plus odor filter (replacement)



4 242005 199730

Serie | 2, Wall-mounted cooker hood, 80 cm, Black DWK87EM60B

Key performance features:

- Energy Efficiency Class: B (at a range of energy efficiency classes from A+++ to D)
- Extraction rate according to EN 61591 ø 15 cm:
max. Normal use 399 m³/h
Intensive 669 m³/h
- Noise max. Normal Level: Noise, max. speed in normal us: 60 dB dB*

Design

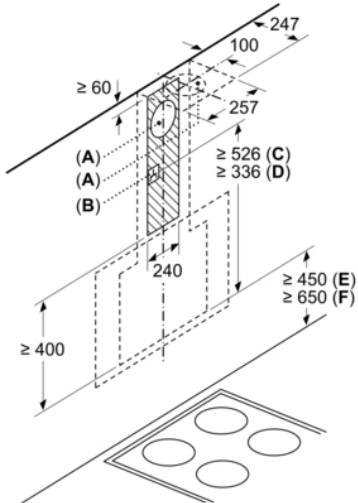
- TouchControl with Electronic display
- Electronic display
- 3 power levels & intensive setting
- Automatic intensive revert (6mins)
- 2 removable metal grease filter cassettes
- 2 x 1.5W LED light
- Colour Temperature: 3500 K
- Installation: wall
- Rim ventilation
- Chimney extractor hood
- TouchControl
- Electronic control

Performance/technical information

- Suitable for ducted or recirculating operation
 - For recirculated extraction recirculating kit or CleanAir recirculating kit (accessory) needed
 - Extraction rate according to EN 61591 max. 669 m³/h
 - Noise level according to EN 60704-3 and EN 60704-2-13 at maximum normal setting: extraction rate: 60 dB (A) re 1pW
 - Noise level according to EN 60704-3 and EN 60704-2-13 at max. normal use exhaust air: 60 dB(A) re 1 pW
 - Noise level according to EN 60704-3 and EN 60704-2-13 exhaust air:
Max. normal use: 60 dB(A) re 1 pW
Intensive: 69 dB(A) re 1 pW
 - With the Clean Air Plus recirculation kit (available as optional accessory) your appliances reaches:
Extraction rate in recirculation mode:
Max. normal use: 349 m³/h
Intensive: 474 m³/h
Noise level in recirculation mode:
Max. normal use: 69 dB(A) re 1 pW
Intensive: 76 dB(A) re 1 pW
 - Power rating: 255 W
 - Light Intensity: 114 lux
 - Electrical cable length 1.3 m
 - Diameter pipe ø 150 mm (ø 120 mm enclosed)
 - Dimensions exhaust air (HxWxD): 780-1066 x 800 x 434 mm
 - Dimensions recirculating (HxWxD): 850-1126 x 800 x 434 mm
 - Dimensions recirculating with CleanAir module (HxWxD):
956 x 800 x 434 mm - mounting with outer chimney
1016-1306 x 800 x 434 mm - mounting with telescopic chimney
 - Blower Efficiency Class: B*
 - Lighting Efficiency Class: A*
 - Grease Filtering Efficiency Class: C*
 - Average Energy Consumption: 59.4 kWh/year*
- * In accordance with the EU-Regulation No 65/2014

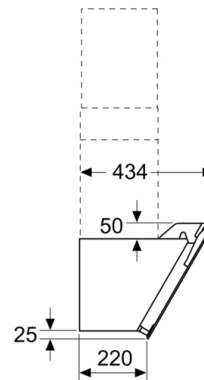
**Serie | 2, Wall-mounted cooker hood, 80 cm,
Black
DWK87EM60B**

Measurements in mm

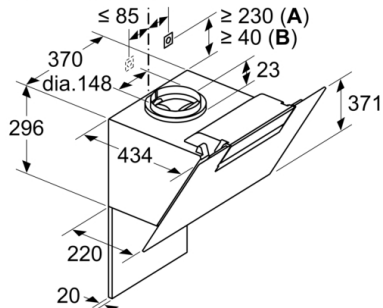


A: Exhaust-air outlet
B: Socket
C: Clean Air Plus circulated air kit

measurements in mm



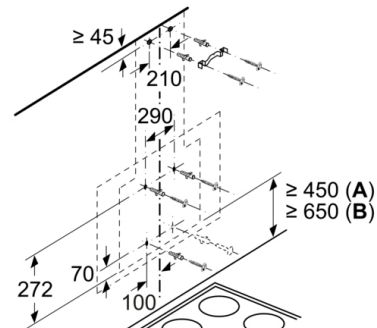
measurements in mm



A: Integrated Clean Air
B: Exhaust air or standard circulated air set

Note the maximum thickness of the back panel.

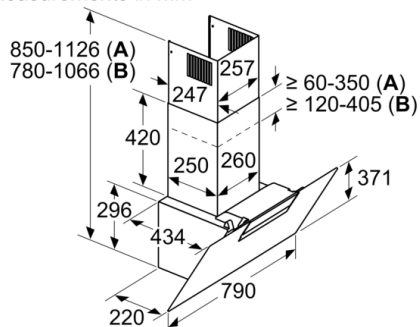
Measurements in mm



From upper edge of pan support

A: Electric
B: Gas

measurements in mm



A: Circulated air
B: Exhaust air - slots to be mounted facing down