

**Serie | 2, Wall-mounted cooker hood,
90 cm, Stainless steel
DWQ94BC50B**

D



Slim Pyramid hood: performance and matching design in your kitchen.

- **Silent:** maximum extractor performance with minimal noise.
- **LED illumination:** The energy-saving lighting provides bright and clear lighting for the hob area.
- An impressive extraction rate of m³/h ensures this hood will have your kitchen odour free in no time.
- 3-speed power Level options to suit your cooking style and recipes.
- Dishwasher safe aluminum mesh filters

Technical Data

Typology : Wall-mounted
Approval certificates : CE, E17D UKCA marking, VDE
Length of electrical supply cord : 130 cm
Height of the chimney : 582-912/582-1022 mm
Height of product, without chimney : 94 mm
Minimum distance above an electric hob : 550 mm
Minimum distance above a gas hob : 650 mm
Net weight : 11.313 kg
Type of control : mechanical
Number of speed settings : 3
Maximum output air extraction : 365 m³/h
Maximum output recirculating air : 240 m³/h
Number of lights (Stck) : 2
Noise level : 64 dB(A) re 1 pW
Diameter of air outlet : 120 / 150 mm
Grease filter material : Washable aluminium
EAN code : 4242005051236
Connection rating : 100 W
Fuse protection : 10 A
Voltage : 220-240 V
Frequency : 50; 60 Hz
Plug type : GB plug
Installation type : Wall-mounted

Optional accessories

DHZ1225 : Chimney extension 1000 mm
DHZ1235 : Chimney extension 1500 mm
DHZ9551 : Brushed steel back panel
DWZ0DX0AO : Standard odor filter (replacement)
DWZ0DX0U0 : Standard recirculation kit
DWZ0XX0J0 : Long Life recirculation kit
DWZ1DX1I6 : Clean Air Plus recirculation kit
DWZ1FX5C6 : Clean Air Plus recirc. kit external
DZZ1XX1B6 : Clean Air Plus odor filter (replacement)



4 242005 051236

Serie | 2, Wall-mounted cooker hood, 90 cm, Stainless steel DWQ94BC50B

Slim Pyramid hood: performance and matching design in your kitchen.

Key performance features:

- Energy Efficiency Class: D (at a range of energy efficiency classes from A+++ to D)
- Max. extraction rate: 365 m³/h
- Noise max. Normal Level: Noise, max. speed in normal us: 64 dB dB*

Features

- Push button control
- 3 power levels
- 2 x 1.5W LED light
- Colour Temperature: 3500 K
- 3 removable metal grease filter cassettes
- Installation: wall

Design

- Chimney extractor hood
- Mechanical

Performance/technical information

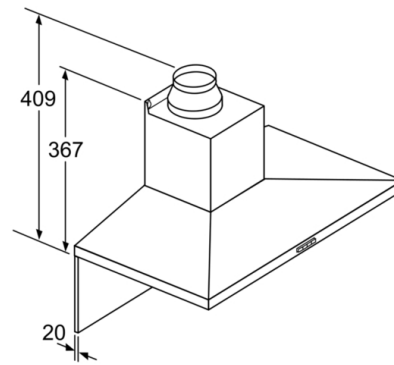
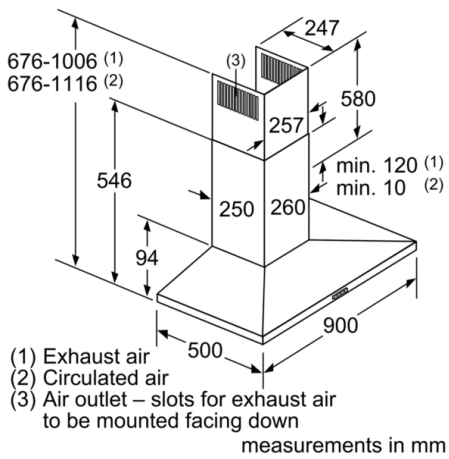
- Suitable for ducted or recirculating operation
- For recirculated extraction recirculating kit or CleanAir recirculating kit (accessory) needed
- Maximum extraction rate exhaust air 365 m³/h according to EN 61591
- Noise level according to EN 60704-3 and EN 60704-2-13 at max. normal use exhaust air: 64 dB(A) re 1 pW
- Power rating: 100 W
- Light Intensity: 91 lux
- Electrical cable length 1.3 m
- Diameter pipe Ø 150 mm (Ø 120 mm enclosed)
- Dimensions exhaust air (HxWxD): 676-1006 x 900 x 500 mm
- Dimensions recirculating (HxWxD): 676-1116 x 900 x 500 mm
- Dimensions recirculating with CleanAir module (HxWxD):
744 x 900 x 500 mm - mounting with outer chimney
874-1204 x 900 x 500 mm - mounting with telescopic chimney
- Blower Efficiency Class: E*
- Lighting Efficiency Class: A*
- Grease Filtering Efficiency Class: D*
- Average Energy Consumption: 53.1 kWh/year*

Optional accessories

- Recirculating kit DWZ1DX1B4

* In accordance with the EU-Regulation No 65/2014

**Serie | 2, Wall-mounted cooker hood, 90 cm,
Stainless steel
DWQ94BC50B**



If a back panel is used, the design of the appliance must be considered.

measurements in mm

