

**Serie | 8, Domino gas hob, 30 cm,
Ceramic
PRA3A6D70**



Included accessories

1 x WOK attachment ring

Optional accessories

HEZ394301 : Connecting strip

**The domino gas hob with FlameSelect:
achieve perfect cooking results thanks to
nine precisely defined power levels.**

- **FlameSelect:** adjust the gas flame precisely using nine defined levels.
- **Digital display:** indicates the selected power level and residual heat for convenience and safety.
- **Dual Wok Burner:** versatile burner for extra-hot and extra-gentle cooking.
- Dual flame power burner with two heat options, quickly boil water or maintain a precise simmer.
- **Dishwasher-proof pan supports:** make cleaning your hob even easier.

Technical Data

Product name/family : Vario/Domino gas hob w control

Construction type : Built-in

Energy input : Gas

Total number of positions that can be used at the same time : 1

Required niche size for installation (HxWxD) : 45 x 270 x 490-500 mm

Width of the appliance : 306 mm

Dimensions : 45 x 306 x 527 mm

Dimensions of the packed product (HxWxD) : 185 x 385 x 578 mm

Net weight : 8.995 kg

Gross weight : 9.8 kg

Basic surface material : Ceramic

Color of surface : Alu, brushed, Black

Color of frame : Black

Approval certificates : CE, Eurasian, Morocco, Ukraine

Length of electrical supply cord : 100 cm

EAN code : 4242002811048

Electrical connection rating : 2 W

Gas connection rating : 6000 W

Fuse protection : 3 A

Voltage : 220-240 V

Frequency : 60; 50 Hz



4 242002 811048

Serie | 8, Domino gas hob, 30 cm, Ceramic PRA3A6D70

The domino gas hob with FlameSelect: achieve perfect cooking results thanks to nine precisely defined power levels.

Design

- ceramic glass surface, Black
- Facette front, rear and side profiles, aluminium, brushed
- Cast iron pan supports
- Low profile burner: elegant burner design

Usage convenience

- FlameSelect: precisely control and adjust the flame in nine defined levels.
- Digital display: see the selected power level and the residual heat.
- Pan supports dishwasher safe: clean without effort in the dishwasher.
- Design co-ordinated control dials: easily access dials in front with strong grip for effortless turning.
- Ignition via control dials: just push and turn the dials to ignite the flame.

Burners and power

- 1 gas burner
- Including 1 dual control wok burner: use an extra wide power range, separately controlling two flame rings.
- Center front: wok burner up to 6 KW (depending on gas type)

Safety

- Flame failure safety device: prevents unwanted gas flow when flame goes out.
- Residual heat indicator: indicates which burner parts and pan supports are still hot.

Installation (gas types & measurements)

- Usable for: Liquid gas G30 37 mbar (PL)
Liquid gas 50 mbar
Nat gas L/LL G25/20mbar(DE)
Natural gas H 25 mbar (HU)
Natural gas L 25 mbar (NL)
NG H/E 20mbar, E+ 20/25mbar
Liquid gas G30,31 28-30/37mbar
- Pre-set for natural gas
- Nozzle set for LPG jets included. Connection to 28-30/37 mbar bottled gas. Nozzles for all other gas types can be

ordered via the customer service. For nozzle change, please contact the customer service.

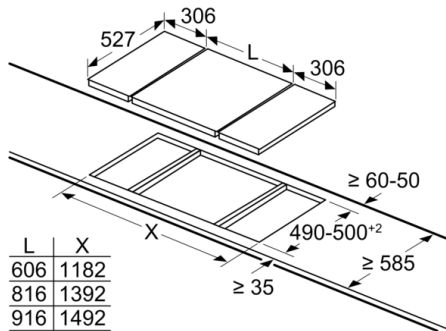
- Dimensions of the product (HxWxD mm): 59 x 306 x 527
- Required niche size for installation (HxWxD mm) : 45 x 270 x (490 - 502)
- Min. worktop thickness: 30 mm
- Power cord: 1 m
- Connected load: 6 KW

Accessories

- Wok ring included

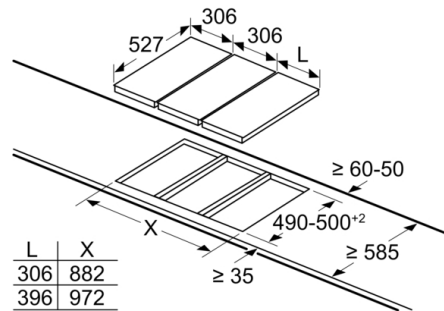
Serie | 8, Domino gas hob, 30 cm, Ceramic PRA3A6D70

measurements in mm



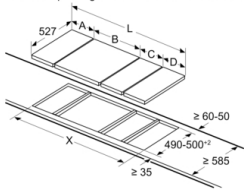
When installing two Domino units right next to a hob, two assembly kits (HEZ394301) are required.

measurements in mm



When installing two or more Domino units side-by-side, one or more assembly kits are required (2 units = 1 assembly kit, 3 units = 2 assembly kits, etc.).

measurements in mm
Picture for the table Domino combination possibilities with corresponding devices and cutout dimensions



If two or more elements are installed right next to one another, one or several installation kits are required (2 elements 1 installation kit, 3 elements 2 installation kits, etc.).

Cutout dimension (X) depending on the combination see table:

measurements in mm

Domino combination options with corresponding appliance and cut-out dimensions

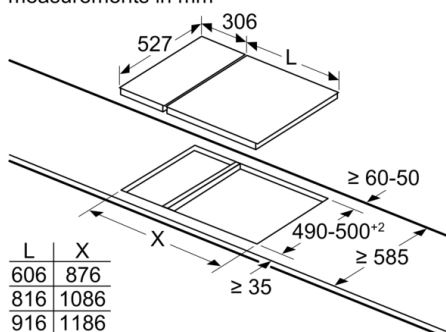
Width category:
Appliance width:

	A	B	C	D	L	X	
2x30	306	306	-	-	612	576	
1x30, 1x40	306	396	-	-	702	666	
1x30, 1x60	306	606	-	-	912	876	
1x30, 1x70*	306	710	-	-	1016	980	
1x30, 1x80	306	816	-	-	1122	1086	
1x30, 1x90	306	916	-	-	1222	1186	
2x40	396	396	-	-	792	756	
1x40, 1x60	396	606	-	-	1002	966	
1x40, 1x70*	396	710	-	-	1106	1070	
1x40, 1x80	396	816	-	-	1212	1176	
1x40, 1x90	396	916	-	-	1312	1276	
3x30	306	306	306	-	918	882	
2x30, 1x40	306	306	396	-	1008	972	
2x30, 1x60	306	306	606	-	1218	1182	
2x30, 1x70*	306	306	710	-	1322	1286	
2x30, 1x80	306	306	816	-	1428	1392	
2x30, 1x90	306	306	916	-	1528	1492	
1x30, 2x40	306	396	396	-	1098	1062	
1x30, 1x40, 1x60	306	396	606	-	1308	1272	
1x30, 1x40, 1x70*	306	396	710	-	1412	1376	
1x30, 1x40, 1x80	306	396	816	-	1518	1482	
1x30, 1x40, 1x90	306	396	916	-	1618	1582	
2x40, 1x60	396	396	606	-	1398	1362	
4x30	306	306	306	306	1224	1188	

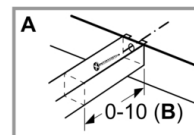
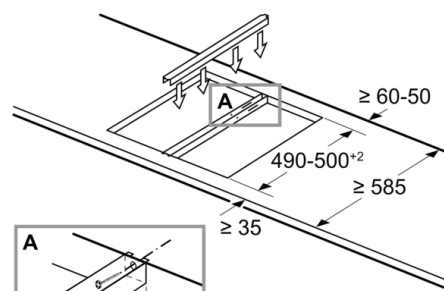
measurements in mm

Assembly kit (HEZ394301) for Domino

measurements in mm



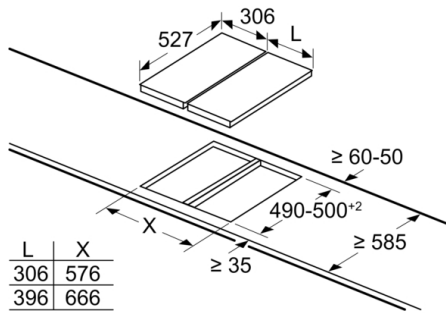
When installing a Domino unit right next to a hob, an assembly kit (HEZ394301) is required.



B: Dependent on the cut-out depth

**Serie | 8, Domino gas hob, 30 cm, Ceramic
PRA3A6D70**

measurements in mm



When installing two or more Domino units side-by-side, one or more assembly kits are required (2 units = 1 assembly kit, 3 units = 2 assembly kits, etc.).

