

N 30, Built-in fridge-freezer with freezer at bottom, 177.2 x 54.1 cm, sliding hinge  
KI7851SF0G



COOKING PASSION SINCE 1877



This No Frost built-in fridge-freezer with Eco Air Flow ensures ideal air circulation in the entire fridge.

- ✓ Fresh Safe – Fridge drawer for flexible storage of your fresh fruit and vegetables.
- ✓ Eco Air Flow – Even air circulation for constant temperatures and fast cooling.
- ✓ No Frost – No more defrosting your freezer.
- ✓ Adjustable Glass Shelves – Height adjustable shelves create the space you need for inspiring dishes in your fridge
- ✓ LED Light – Illuminate your fridge with long-life LEDs.

#### Features

##### Technical Data

Energy Efficiency Class : F  
 Average annual energy consumption in kilowatt hour per year (kWh/a) : 298 kWh/annum  
 Sum of volume of frozen compartments : 99 l  
 Sum of volume of chill compartments : 150 l  
 Airborne acoustical noise emissions : 39 dB(A) re 1 pW  
 Airborne acoustical noise emission class : C  
 Construction type : Built-in  
 Door panel options : Not possible  
 Width of the appliance : 541 mm  
 Depth of the product : 548 mm  
 Required niche size for installation (HxWxD) : 1775.0 x 560 x 550 mm  
 Net weight : 50.718 kg  
 Fuse protection : 10 A  
 Door hinge : Right reversible  
 Voltage : 220-240 V  
 Frequency : 50 Hz  
 Approval certificates : CE, E17D UKCA marking, VDE  
 Length of electrical supply cord : 230 cm  
 Storage Period in Event of Power Failure (h) : 10 h  
 Number of compressors : 1  
 Number of independent cooling systems : 1  
 Interior ventilator : No  
 Reversible Door Hinge : Yes  
 Number of Adjustable Shelves in fridge compartment (Stck) : 2  
 Shelves for Bottles : No  
 Frost free system : Freezer  
 Installation type : Full-integrated  
 Type of hinge : Follow-door



4 242004 256625

*N 30, Built-in fridge-freezer with freezer at bottom,  
177.2 x 54.1 cm, sliding hinge  
KI7851SFOG*

## Features

- EU19\_Fast freezer facility\_D

### Functions

- Bright interior LED fridge light

### Design features

- Built-in fridge-freezer combination
- Sliding hinge, softClosing door: No
- easy Installation
- Electronic control (LED chain)
- Super Cooling: No
- SuperFreeze function with automatic deactivation
- optical, acoustic for Fridge and Freeze

### Design features

- 3 safety glass shelves in fridge compartment of which 2 are height adjustable
- 2 door bins
- 1 removable door storage compartments.

### Freshness System

- 1 FreshSafe drawer- The ideal place to store your fruit and vegetables safely.

### Food freshness system

- noFrost freezer, never have to defrost ever again
- 4 freezer drawers

### Dimension and installation

- Dimensions: 177.2 cm H x 54.1 cm W x 54.8 cm D
- Niche Dimensions: 177.5 cm H x 56 cm W x 55 cm D

### Key features - Fridge section

- Right hinged door, reversible
- 220 - 240 V

### Key features - Freezer section

- 2 x egg tray, 1 x ice cube tray

### Country Specific Options

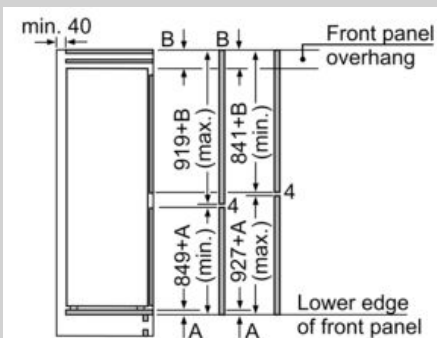
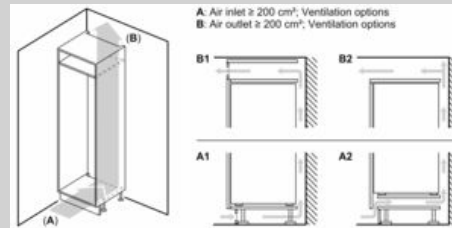
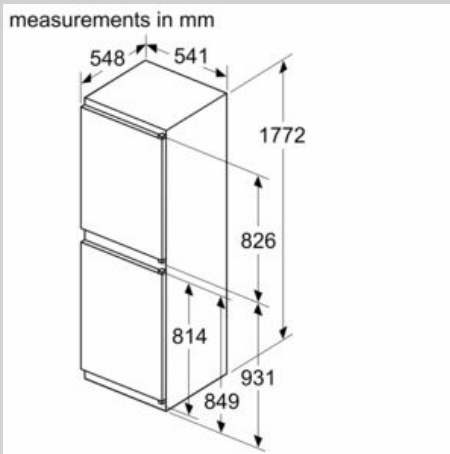
- Based on the results of the standard 24-hour test. Actual consumption depends on usage/position of the appliance.

### Performance and Consumption

- EU19\_EEK\_D: F
- Total Volume : 249 l
- Net Fridge Volume : 150 l
- Net Freezer Volume : 99 l
- Freezing capacity 24h : 5.5 kg
- Annual Energy Consumption: 298 kWh/a
- Climate Class: SN-ST
- Noise Level : 39 dB , EU19\_Noise emission class\_D: C
- Temperature rise time : EU19\_Temperature rise time\_D: 10 H

N 30, Built-in fridge-freezer with freezer at bottom,  
 177.2 x 54.1 cm, sliding hinge  
 KI7851SFOG

## Dimensioned drawings



The specified unit door dimensions are valid for a door gap of 4 mm.  
 measurements in mm

