

**Serie | 8, Built-in oven, 60 x 60 cm,  
Black  
HBG634BB1B**



**Included accessories**

1 x combination grid  
1 x universal pan

**Optional accessories**

HEZ530000 : Half tray  
HEZ531010 : Baking tray, non-stick ceramic coated  
HEZ625071 : Grill tray, anthracite enamelled  
HEZ631070 : Baking tray, anthracite enamelled  
HEZ634000 : Baking and roasting grid (standard)  
HEZ636000 : Glass pan  
HEZ638100 : 1 level telescopic shelf rail, full ext  
HEZ638300 : 3 level telescopic rails, full ext  
HEZ915003 : Glass roasting dish, 5,4 L

- **4D Hotair:** even heat distribution for perfect results – on any level.
- **TFT display control:** easy-to-use thanks to the control ring with full text and symbols.
- **EcoClean Direct:** less cleaning effort thanks to a special coating of the rear wall that automatically absorbs grime.
- **Cleaning Assistance:** less cleaning effort thanks to the new cleaning option, which can be especially used for cleaning of light soiling.
- **Drop down door with SoftOpen and SoftClose:** the oven door opens and closes gently and quietly

**Technical Data**

Color / Material Front : Black  
Construction type : Built-in  
Integrated Cleaning system : Catalytic partial, Hydrolytic  
Required niche size for installation (HxWxD) : 585-595 x 560-568 x 550 mm  
Dimensions : 595 x 594 x 548 mm  
Dimensions of the packed product (HxWxD) : 670 x 680 x 670 mm  
Control Panel Material : Glass  
Door Material : Glass  
Net weight : 35.134 kg  
Usable volume of cavity : 71 l  
Cooking method : 4D Hotair, Bottom heat, Conventional heat, Defrost, Full width grill, Half width grill, Hot Air-Eco, Hot air grilling, low temperature cooking, Pizza setting, pre-heating, warming  
Oven control : electronic  
Number of interior lights : 1  
Approval certificates : CE, VDE  
Length of electrical supply cord : 120 cm  
EAN code : 4242002835310  
Number of cavities (2010/30/EC) : 1  
Energy efficiency rating : A+  
Energy consumption per cycle conventional (2010/30/EC) : 0.87 kWh/cycle  
Energy consumption per cycle forced air convection (2010/30/EC) : 0.69 kWh/cycle  
Energy efficiency index (2010/30/EC) : 81.2 %  
Connection rating : 3600 W  
Fuse protection : 16 A  
Voltage : 220-240 V  
Frequency : 60; 50 Hz  
Plug type : no plug



4 242002 835310

## Serie | 8, Built-in oven, 60 x 60 cm, Black HBG634BB1B

---

### Design

- 2.5"-TFT colour and text display with direct select buttons
- Drop down door, SoftClose, SoftOpen
- Bosch control wheel
- Straight bar handle
- 5 shelf positions

### Features

- Digital temperature display with proposal  
Actual temperature display  
Heating-up indicator
- Control panel lock  
Automatic safety switch off  
Residual heat indicator  
Start button  
Door contact switch
- Electronic clock timer
- Interior halogen light, Light on/off when oven door opened/  
closed

### Cleaning

- EcoClean Direct : back panel
- Full glass inner door

### Programmes/functions

- Oven with 13 cooking functions: heating methods: 4D Hotair, Hotair Gentle, conventional top and bottom heat, conventional heat Gentle, Hotair grilling, full width variable grill, half width grill, pizza function, bottom heat, low temperature cooking, defrost, plate warming, keep warm
- Fast pre-heating function

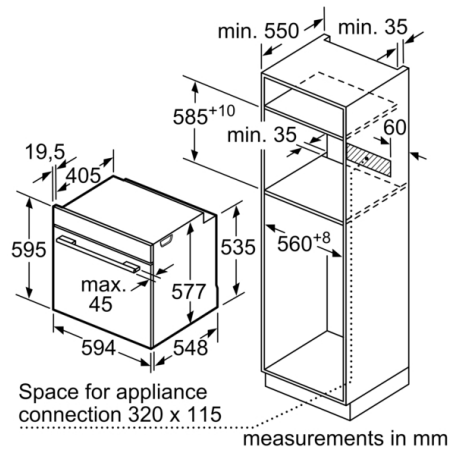
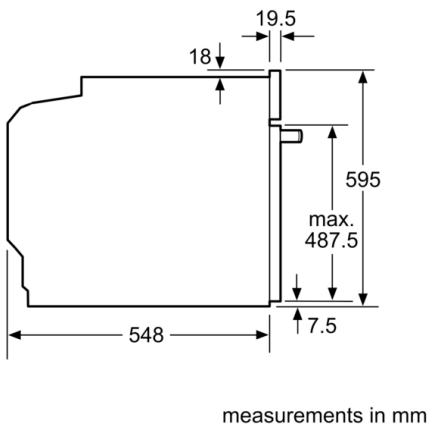
### Accessories

- 1 x combination grid, 1 x universal pan

### Performance/technical information

- Energy efficiency rating (acc. EU Nr. 65/2014): A+  
Energy consumption per cycle in conventional mode: 0.87 kWh  
Energy consumption per cycle in fan-forced convection mode: 0.69 kWh  
Number of cavities: Main cavity  
Heat source: electrical  
Cavity volume: 71 litre capacity
- Temperature range 30 °C - 275 °C
- Integral cooling fan
- 120 cm Cable length
- Total connected load electric: 3.6 KW
- Nominal voltage: 220 - 240 V
- Appliance dimension (hxwxh): 595 mm x 594 mm x 548 mm
- Niche dimension (hxwxh): 585 mm - 595 mm x 560 mm - 568 mm x 550 mm
- Please refer to the dimensions provided in the installation manual

**Serie | 8, Built-in oven, 60 x 60 cm, Black  
HBG634BB1B**



If the appliance will be installed underneath a hob, the following worktop thicknesses (including substructure if necessary) must be taken into account.

Hob type	min. worktop thickness	
	fitted	flush
Induction hob	37 mm	38 mm
Full surface Induction hob	47 mm	48 mm
Gas hob	30 mm	38 mm
Electric hob	27 mm	30 mm

